

ISSUE	DESCRIPTION	BY	DATE
-------	-------------	----	------

**ALC** Australian lift components

5 SAGGARTFIELD ROAD MINTO NSW 2566  
 T: 02 9603 0200 | F: 02 9603 2700  
[sales@ausliftcomp.com.au](mailto:sales@ausliftcomp.com.au) | [www.ausliftcomp.com.au](http://www.ausliftcomp.com.au)

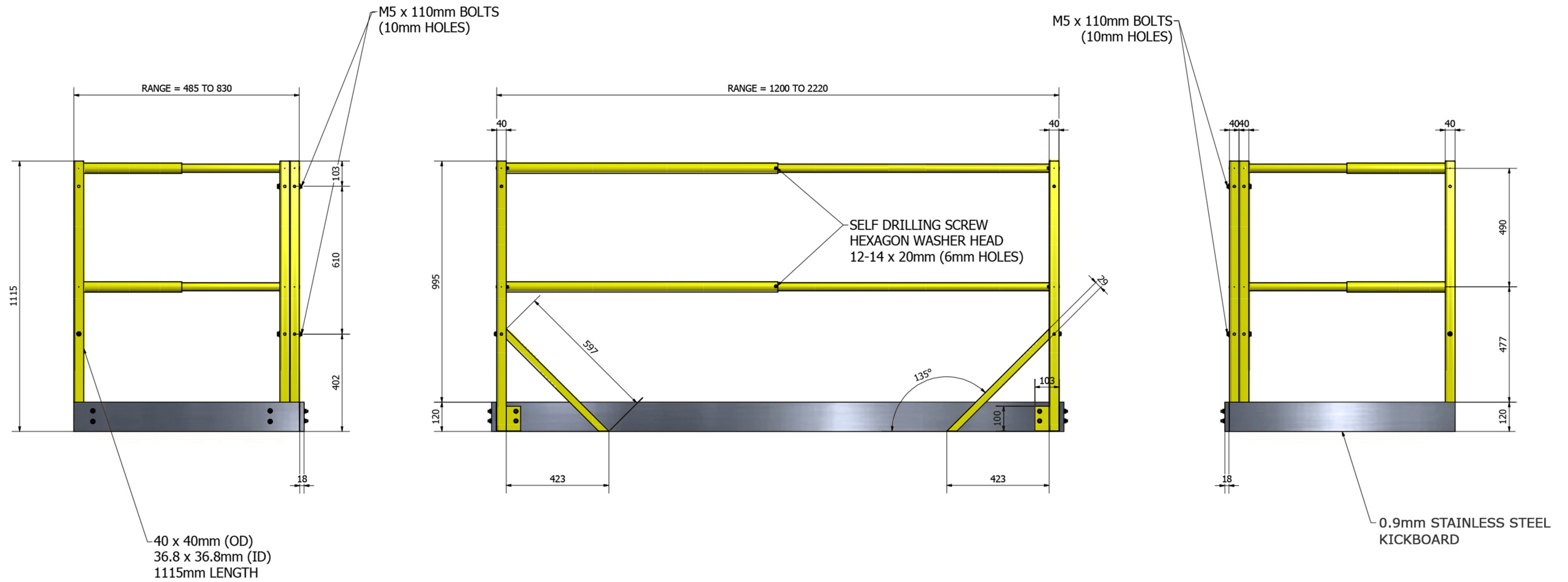
**Appointment details**

For  
**ASSEMBLY DRAWING  
 TOP OF CAR HANDRAILS**

All designs and information contained in this drawing remain the sole property of ALC and must neither be reproduced nor copied nor passed on to third parties without our specific consent.

Scale NTS	Drawn By TT	Checked By	Date 05-11-15
Contract No.	Drawing No.	Issue No. 0	

DRAWING NAME:



40 x 40mm (OD)  
36.8 x 36.8mm (ID)  
1115mm LENGTH

Ø42.4mm (OD)  
Ø37.2mm (ID)  
1120mm LENGTH

Ø33.7mm (OD)  
Ø28.5mm (ID)  
1120mm LENGTH

0.9mm STAINLESS STEEL  
KICKBOARD

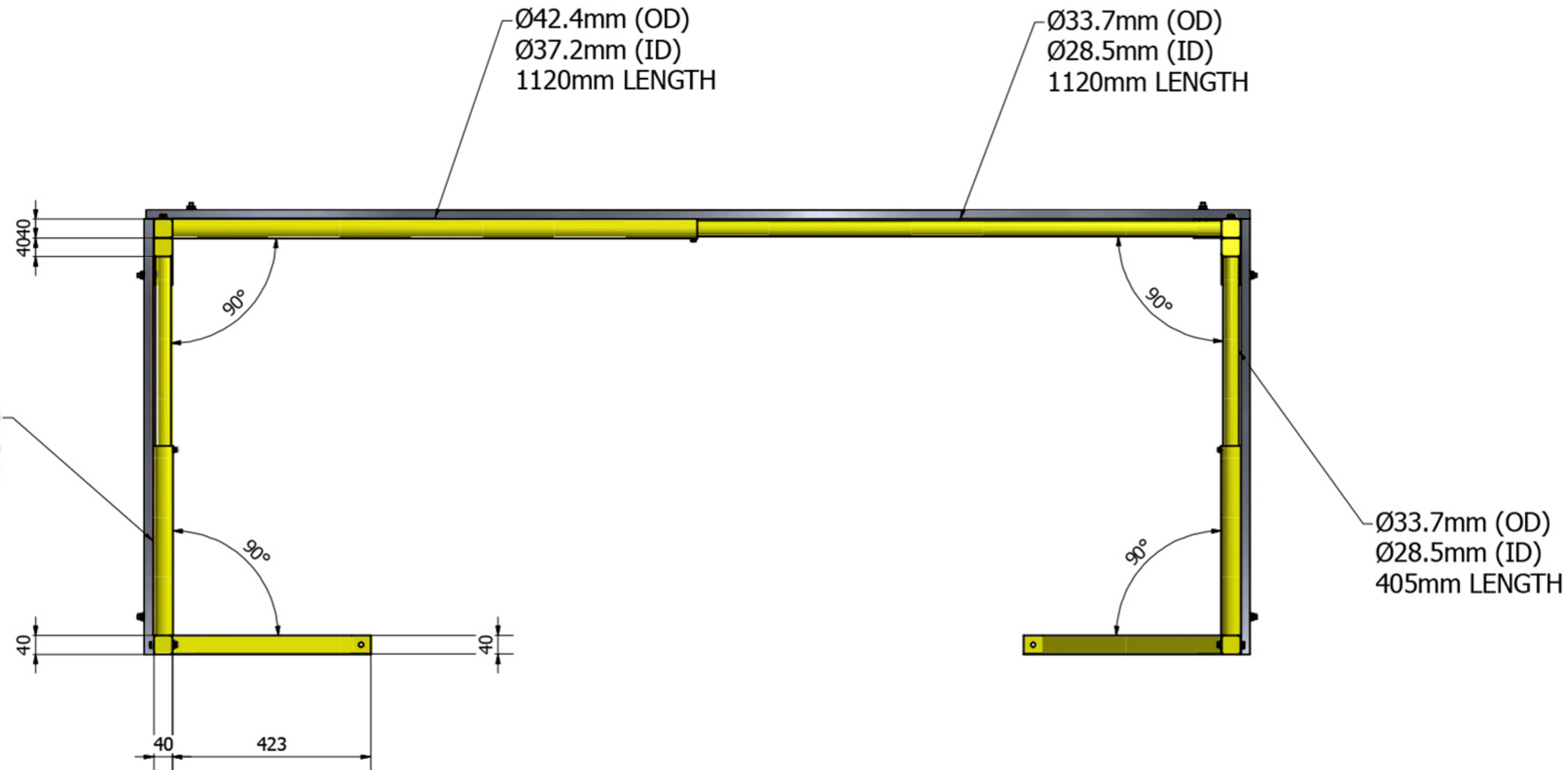
Ø42.4mm (OD)  
Ø37.2mm (ID)  
405mm LENGTH

Ø33.7mm (OD)  
Ø28.5mm (ID)  
405mm LENGTH

**NOTE:**

\* ALL BOLTS ARE M5 x 50mm & Ø10mm HOLES  
(UNLESS STATED OTHERWISE)

\* ALL CSH & SHS MATERIAL IS GRADE 350



ISSUE	DESCRIPTION	BY	DATE
-------	-------------	----	------

**Australian lift components**

5 SAGGARTFIELD ROAD MINTO NSW 2566  
T: 02 9603 0200 | F: 02 9603 2700  
sales@ausliftcomp.com.au | www.ausliftcomp.com.au

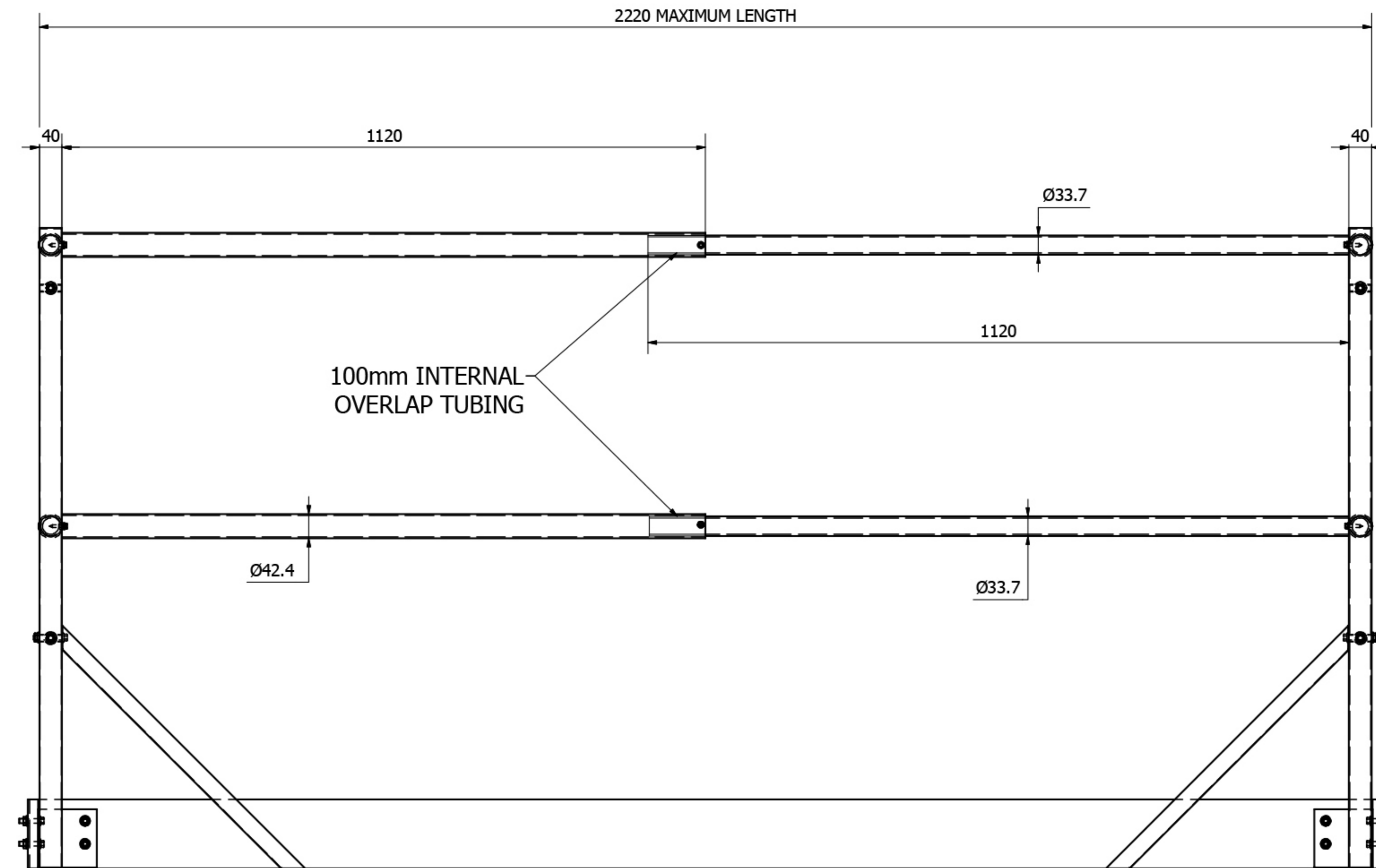
**Appointment details**  
For  
**ASSEMBLY DRAWING  
TOP OF CAR HANDRAILS**

All designs and information contained in this drawing remain the sole property of ALC and must neither be reproduced nor copied nor passed on to third parties without our specific consent.

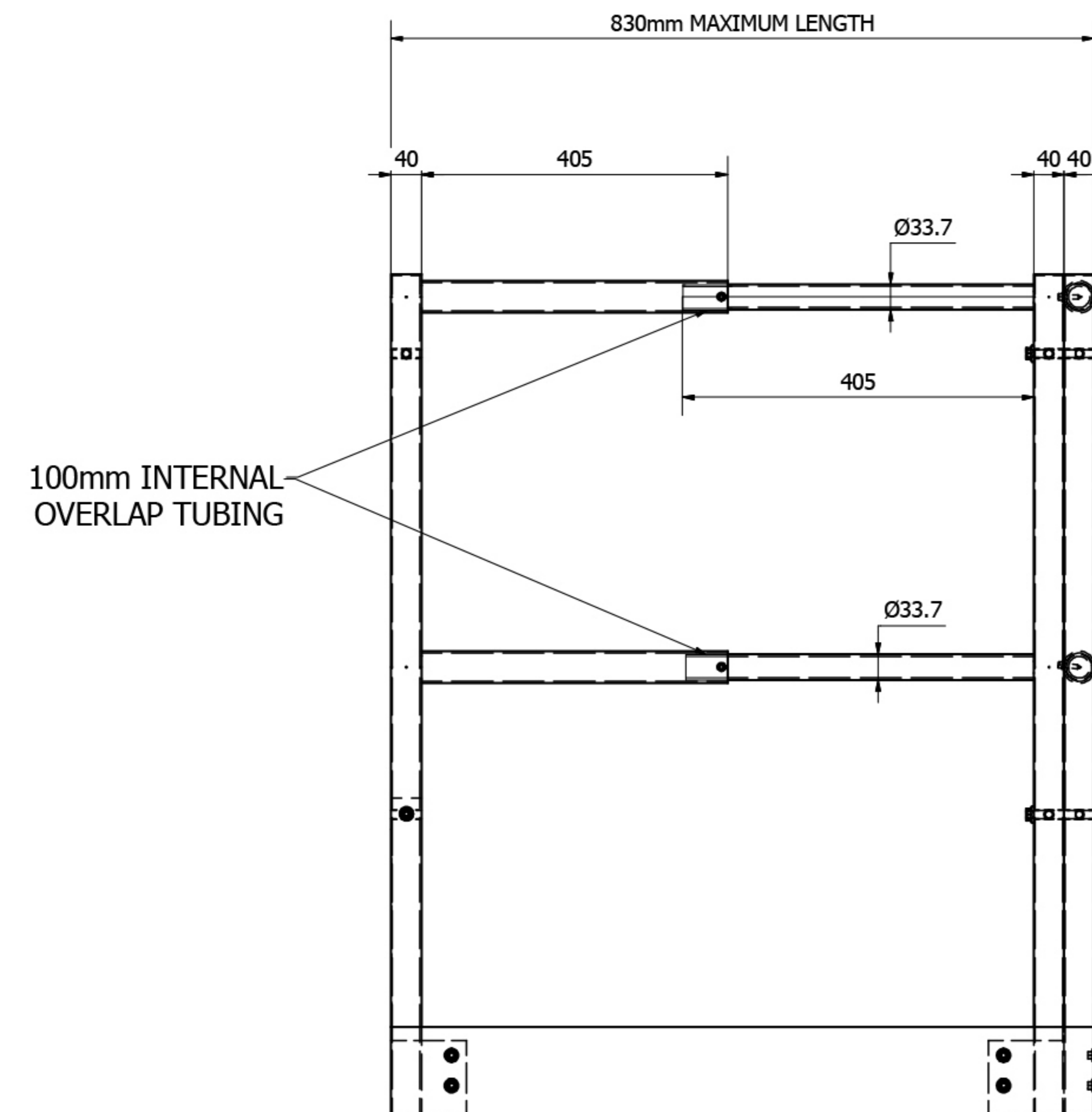
Scale NTS	Drawn By TT	Checked By	Date 05-11-15
Contract No.		Drawing No.	Issue No. 0

DRAWING NAME:

# BACK HANDRAIL



# SIDE HANDRAIL



ISSUE	DESCRIPTION	BY	DATE
-------	-------------	----	------

**ALC** Australian lift components

5 SAGGARTFIELD ROAD MINTO NSW 2566  
 T: 02 9603 0200 | F: 02 9603 2700  
 sales@ausliftcomp.com.au | www.ausliftcomp.com.au

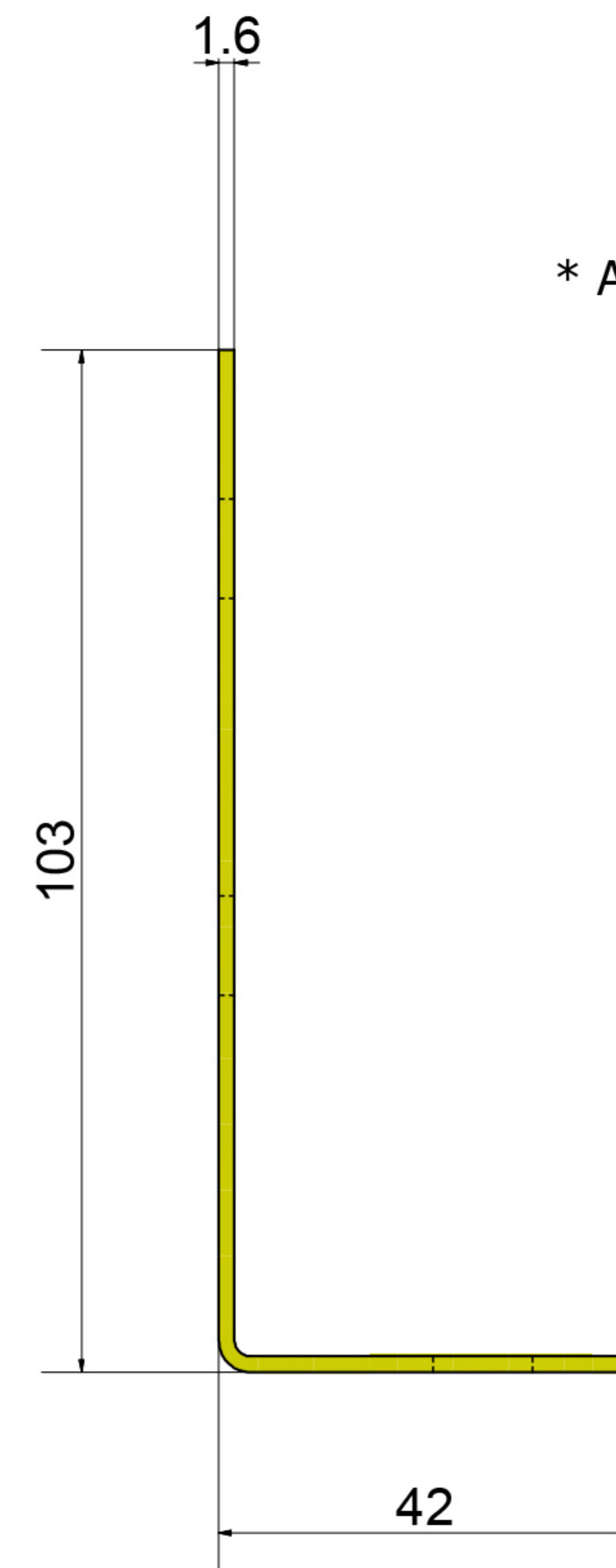
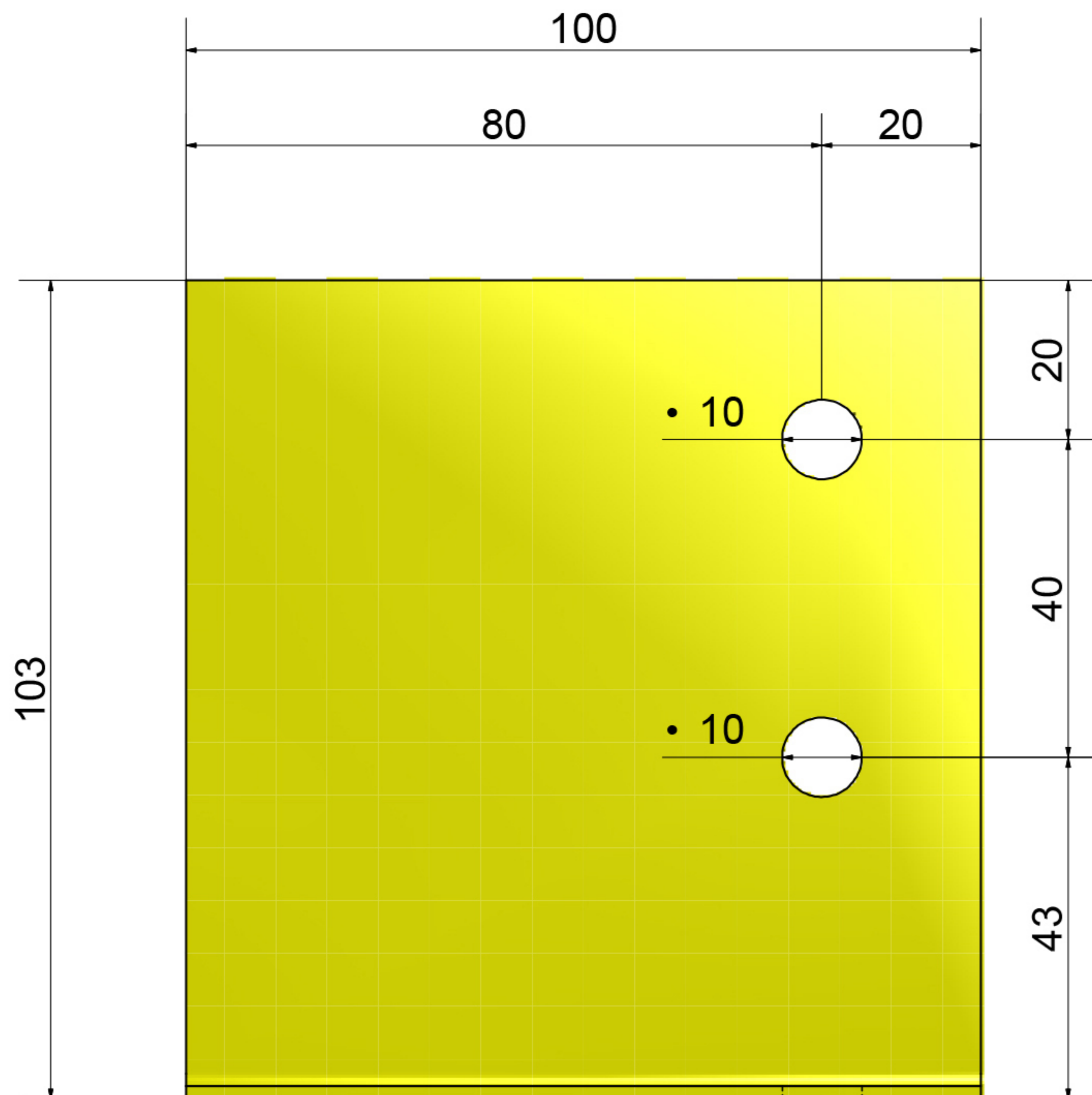
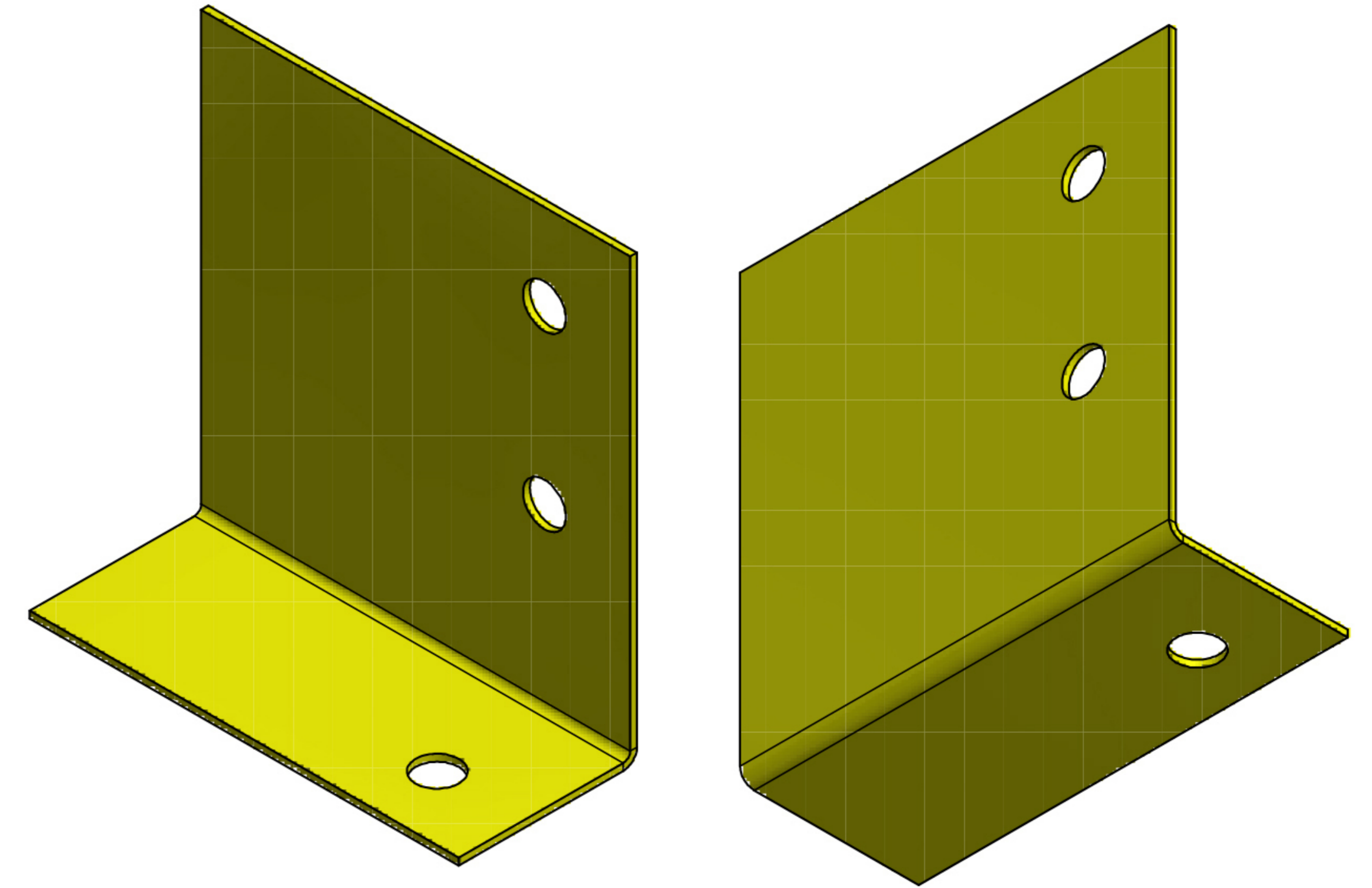
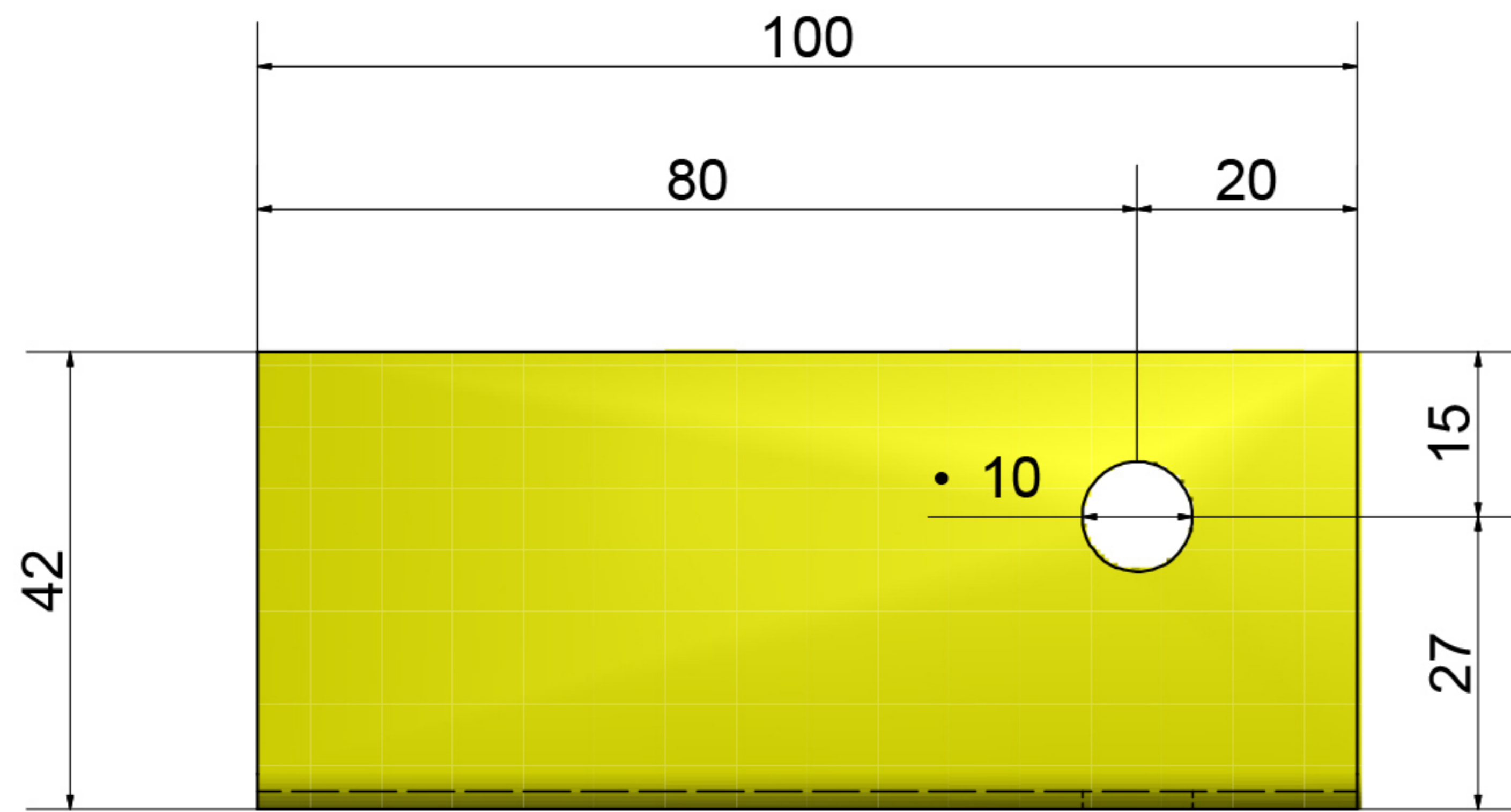
### Appointment details

For  
**ASSEMBLY DRAWING  
 TOP OF CAR HANDRAILS**

All designs and information contained in this drawing remain the sole property of ALC and must neither be reproduced nor copied nor passed on to third parties without our specific consent.

Scale NTS	Drawn By TT	Checked By	Date 05-11-15
Contract No.		Drawing No.	Issue No. 0

DRAWING NAME:



LEFT & RIGHT BRACKET:

\* MATERIAL 1.6mm ZINCSEAL

\* ALL BOLTS ARE M5 x 50mm & Ø10mm HOLES

ISSUE	DESCRIPTION	BY	DATE
-------	-------------	----	------

**DL** Australian lift components

5 SAGGARTFIELD ROAD MINTO NSW 2566  
 T: 02 9603 0200 | F: 02 9603 2700  
 sales@ausliftcomp.com.au | www.ausliftcomp.com.au

**Appointment details**

For  
**ASSEMBLY DRAWING  
 TOP OF CAR HANDRAILS**

All designs and information contained in this drawing remain the sole property of ALC and must neither be reproduced nor copied nor passed on to third parties without our specific consent.

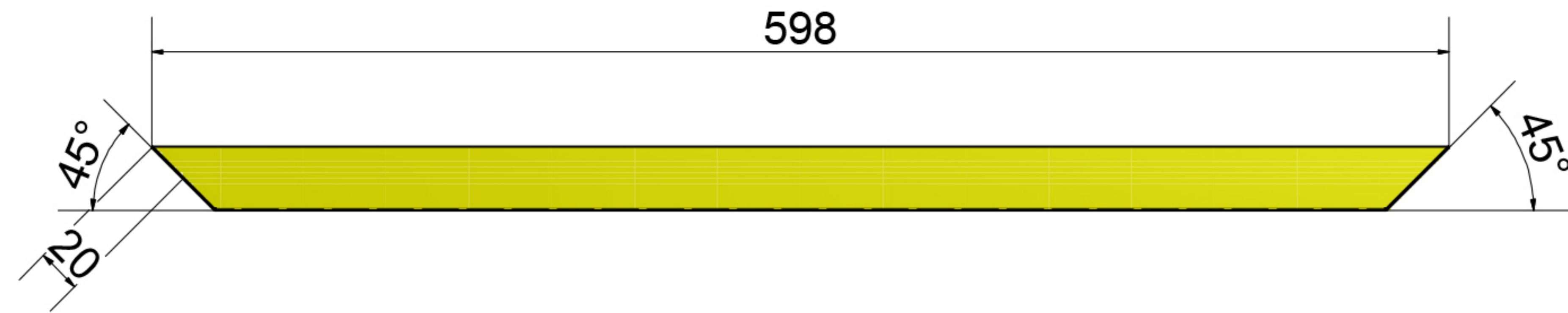
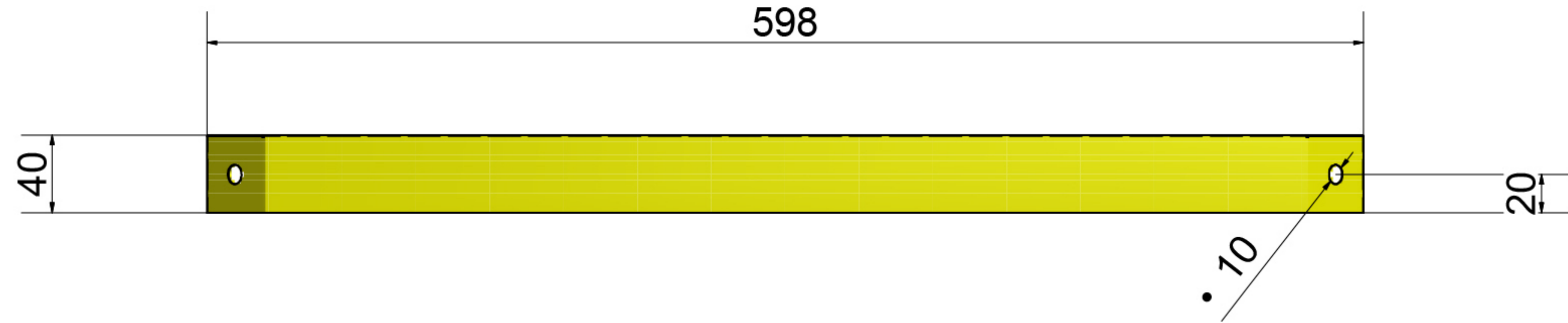
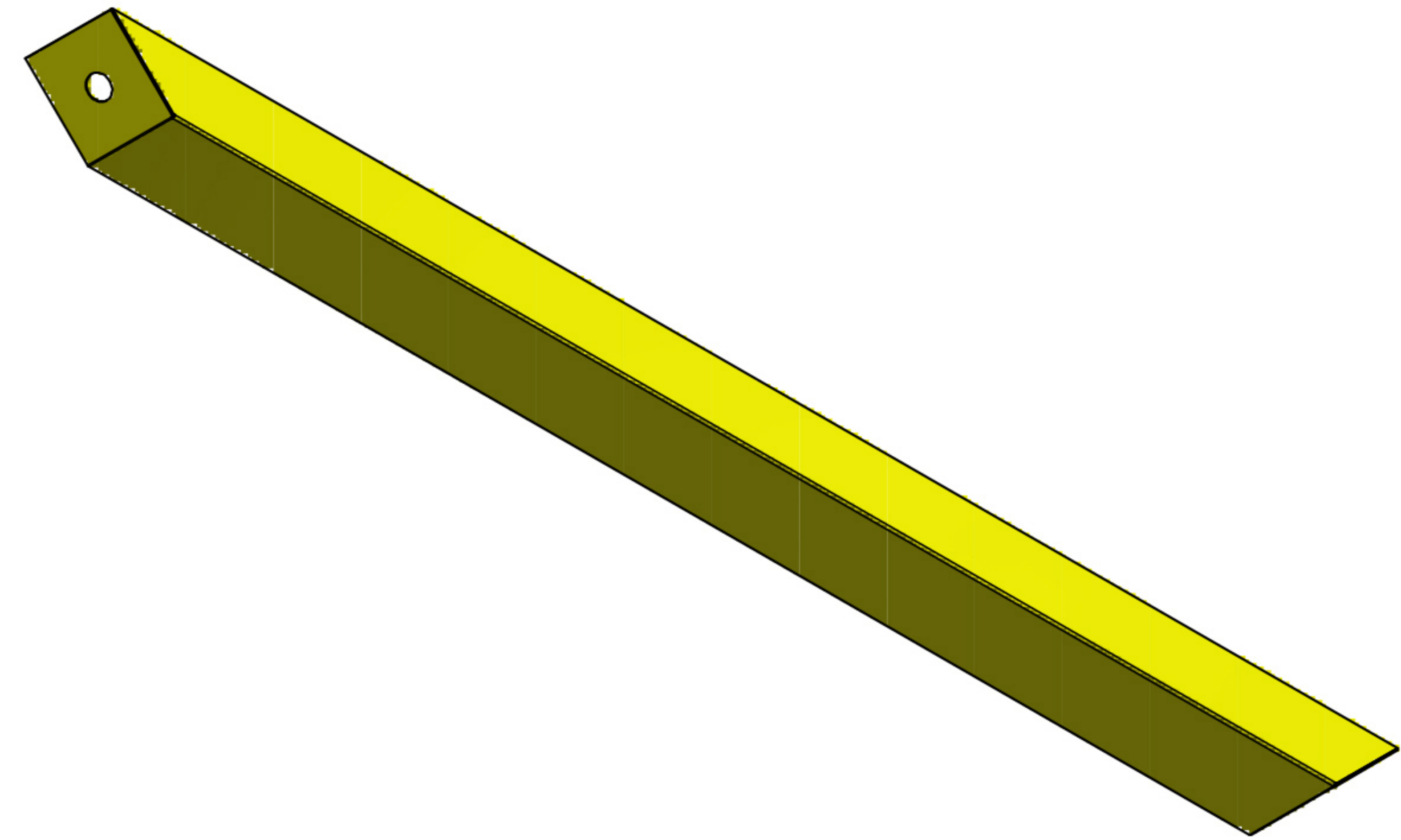
Scale NTS	Drawn By TT	Checked By	Date 05-11-15
Contract No.		Drawing No.	Issue No. 0

DRAWING NAME:

LEFT & RIGHT BRACKET:

\* MATERIAL 1.6mm ZINCSEAL

\* ALL BOLTS ARE M5 x 50mm & Ø10mm HOLES



ISSUE	DESCRIPTION	BY	DATE
-------	-------------	----	------

**ALC** Australian lift components

5 SAGGARTFIELD ROAD MINTO NSW 2566  
 T: 02 9603 0200 | F: 02 9603 2700  
[sales@ausliftcomp.com.au](mailto:sales@ausliftcomp.com.au) | [www.ausliftcomp.com.au](http://www.ausliftcomp.com.au)

**Appointment details**

For  
**ASSEMBLY DRAWING  
 TOP OF CAR HANDRAILS**

All designs and information contained in this drawing remain the sole property of ALC and must neither be reproduced nor copied nor passed on to third parties without our specific consent.

Scale	Drawn By	Checked By	Date
NTS	TT		05-11-15
Contract No.		Drawing No.	Issue No.
			0

DRAWING NAME: